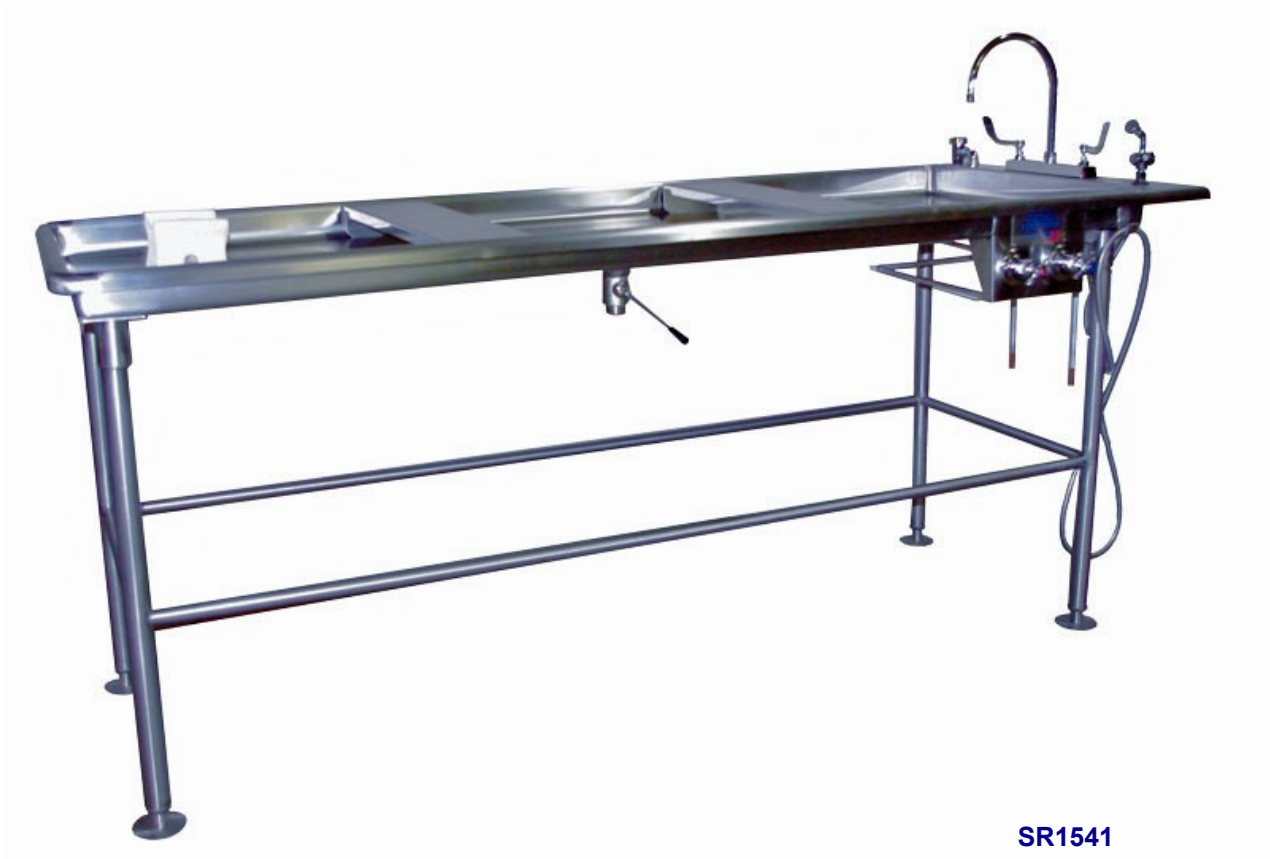

ScientekTM

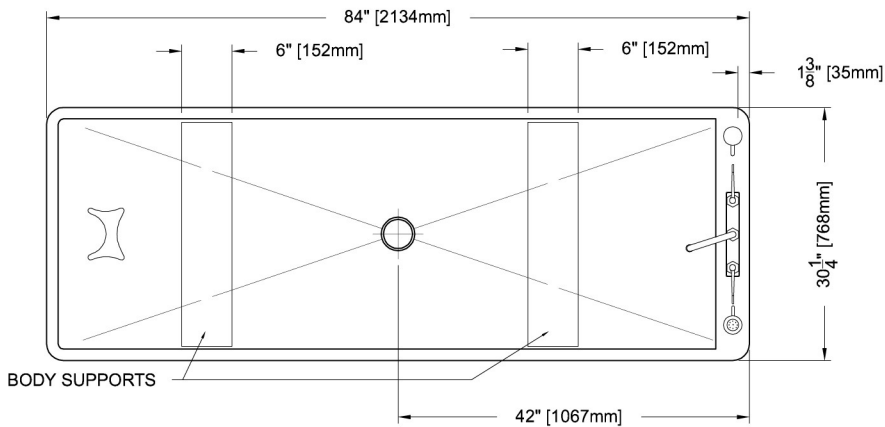
Hospital and Laboratory Equipment

Body Wash Station

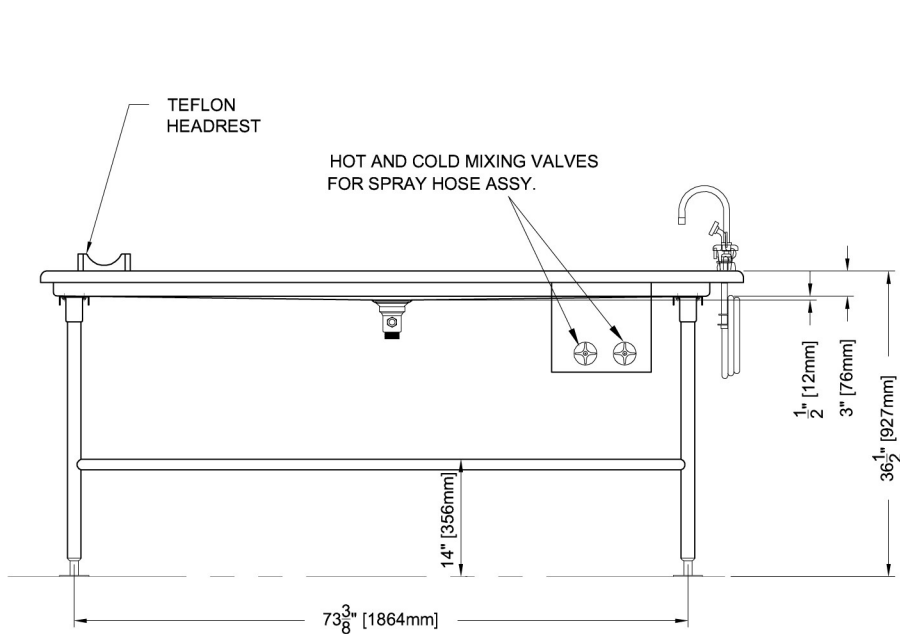


SR1541

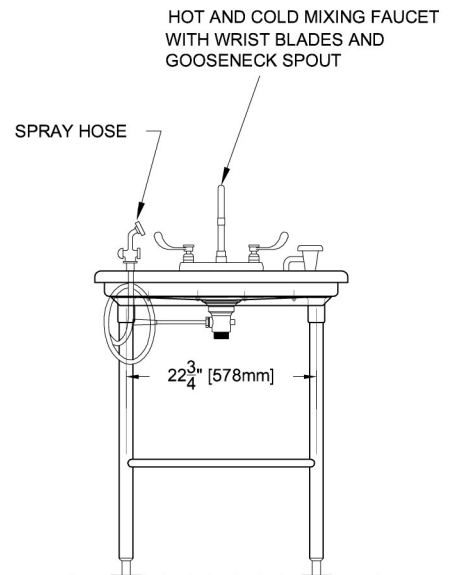
- Table Top - One-Piece 14 Ga. [1.9mm] Type 304, #4 Polished Stainless Steel
 - Reinforced By 14 Ga. [1.9mm] Stainless Steel Leg Channels At Both Ends
 - Legs - 1 5/8" [41mm] O.D. 16 Ga. [1.6mm] Type 304 Polished Stainless Steel Legs - 1 5/8" [41mm] O.D. 16 Ga. [1.6mm] Type 304 Polished Stainless Steel
 - Additional Tubular Cross Bracing Welded To Legs For Extra Rigidity
 - **Plumbing** All Exposed Plumbing is Chrome Plated Brass Includes:
 - 1/2" Water Faucet, Swivel Gooseneck Spout, Wrist Operated Handles
 - Stainless Steel Spray Hose with Hot And Cold Water Control Valves
 - Drain - 1 1/2" [38mm] Chrome Plated Brass With Lever Handle Waste
-



PLAN



SIDE ELEVATION



END ELEVATION