

Mobile Autopsy Table



Mobile Autopsy Table

Table Top - One-Piece 14 Ga. [1.9mm] Type 304, #4 Polished Stainless Steel

- All Seams Fully Welded And Ground Smooth ,
- Reinforced By 14 Ga. [1.9mm] Stainless Steel Leg Channels At Both Ends
- Pitched to Drain
- Drain – 1½" [38mm] Chrome Plated Brass With Lever Handle Waste

Legs - 1 5/8" [41mm] O.D. 16 Ga. [1.6mm] Type 304 Polished Stainless Steel Welded To Sanitary

- Additional Tubular Cross Bracing Welded To Legs For Extra Rigidity
- 2" Slope to Promote Draining

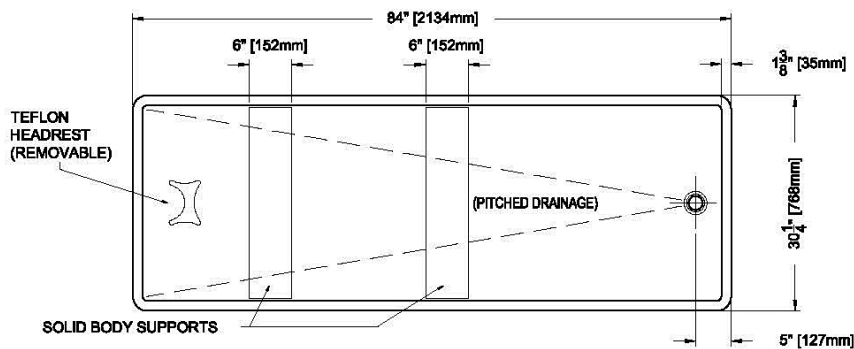
Casters - 8" (203mm) Dia., Heavy Duty, All Swivel, (2) With Swivel Locks And (2) With Wheel Brakes

Body Supports - (2) 14 Ga. [1.9mm] Stainless Steel 6" [152mm] Wide

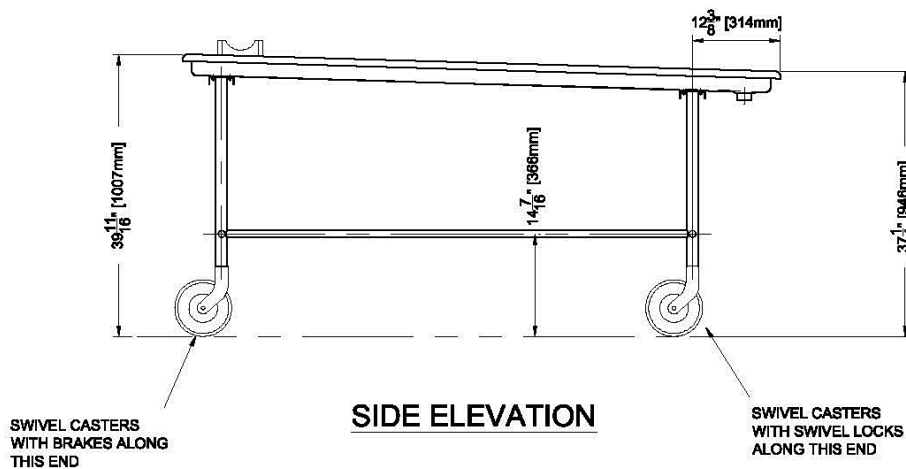
Headrest - Six-Position, Adjustable, Teflon

Shipping Weight - 260 Lb. [118 Kg.] Approximately

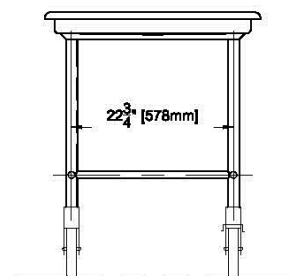
Shipping Volume – 68 cu ft. (1.93 cu meters)



PLAN VIEW



SIDE ELEVATION



FRONT ELEVATION